

2020.0 NEW RANGE ROVER EVOQUE (LZ), 102-02

INTERIOR

# SPORTS PEDAL KIT - MANUAL TRANSMISSION (G2343666)

## REMOVAL AND INSTALLATION

VPLHS0045 / VPLCS0619

### WARNING:

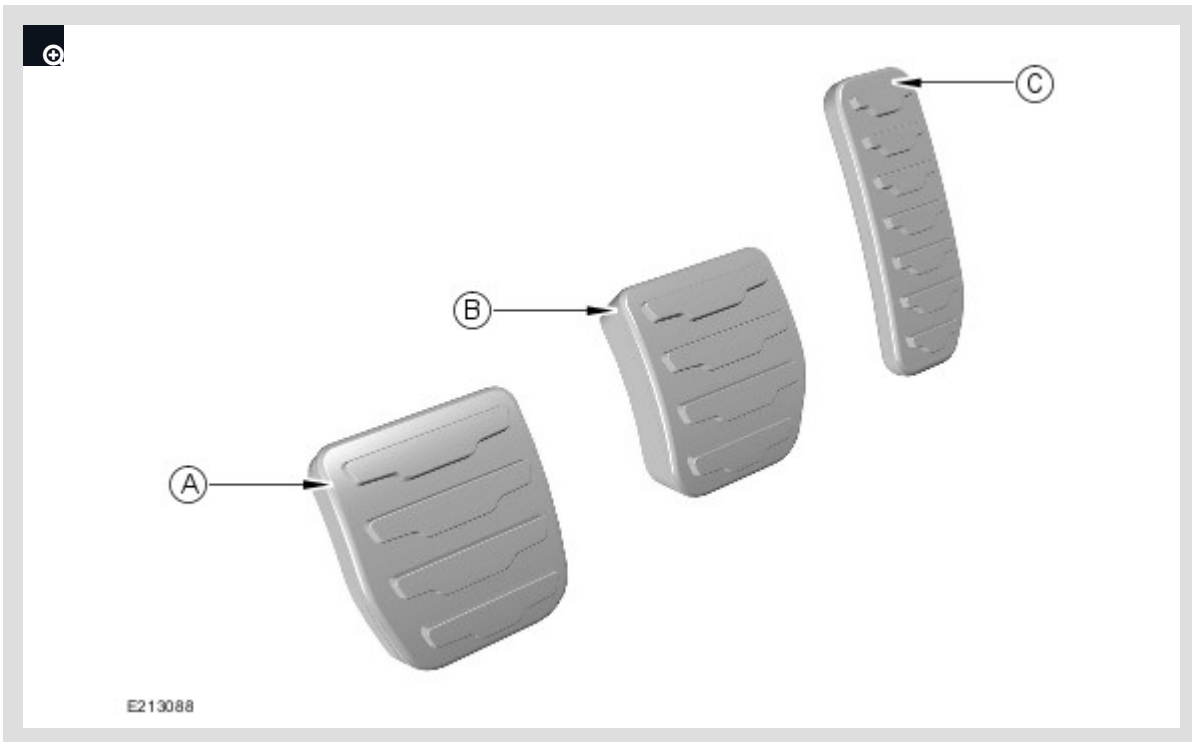
Accessories which are not correctly installed can be dangerous. Read the instructions carefully prior to installation. Comply with instructions at all times. If in doubt, contact your nearest approved retailer.

### CAUTION:

Do not use sharp metal tools to install the sports pedal kit.

### NOTES:

- This procedure contains some variation in the illustrations depending on the vehicle specification, but the essential information is always correct.
- This procedure contains illustrations for left hand drive vehicles, right hand drive vehicles are similar.



DESCRIPTION

PART NUMBER

DESCRIPTION	PART NUMBER
Range Rover Evoque - Sports Pedal Kit (11-18MY)	VPLHS0045
Discovery Sport - Sports Pedal Kit (15-20MY)	VPLHS0045
All-New Range Rover Evoque - Sports Pedal Kit (19-20MY)	VPLHS0045
Discovery Sport - Sports Pedal Kit (21MY-)	VPLCS0619
All-New Range Rover Evoque - Sports Pedal Kit (21MY-)	VPLCS0619

## REMOVAL

1.

### ⓘ CAUTION:

Discard the components.



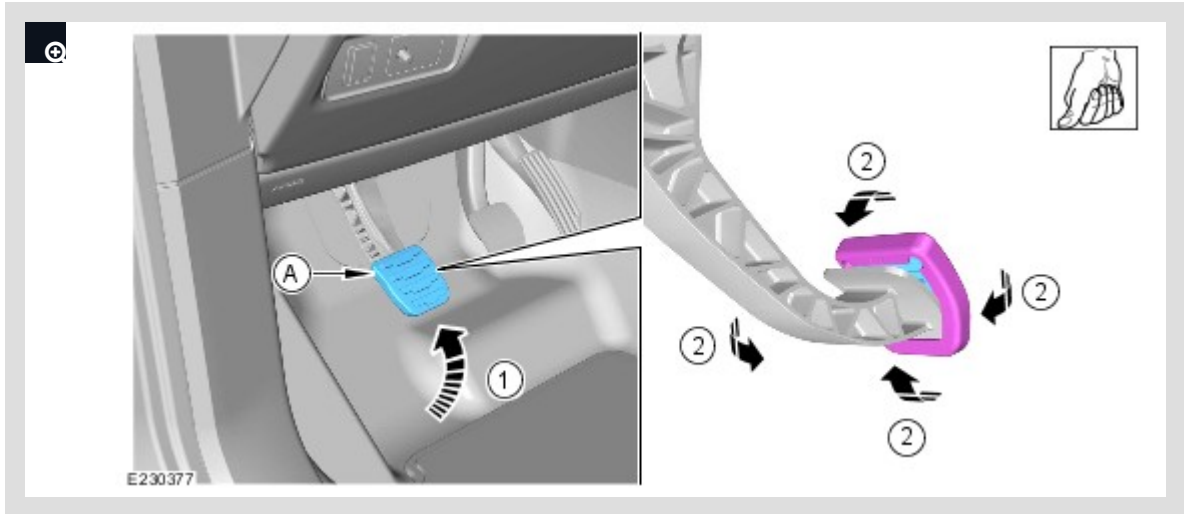
Remove and discard the clutch and brake pedal covers.

## INSTALLATION

### ⚠ WARNING:

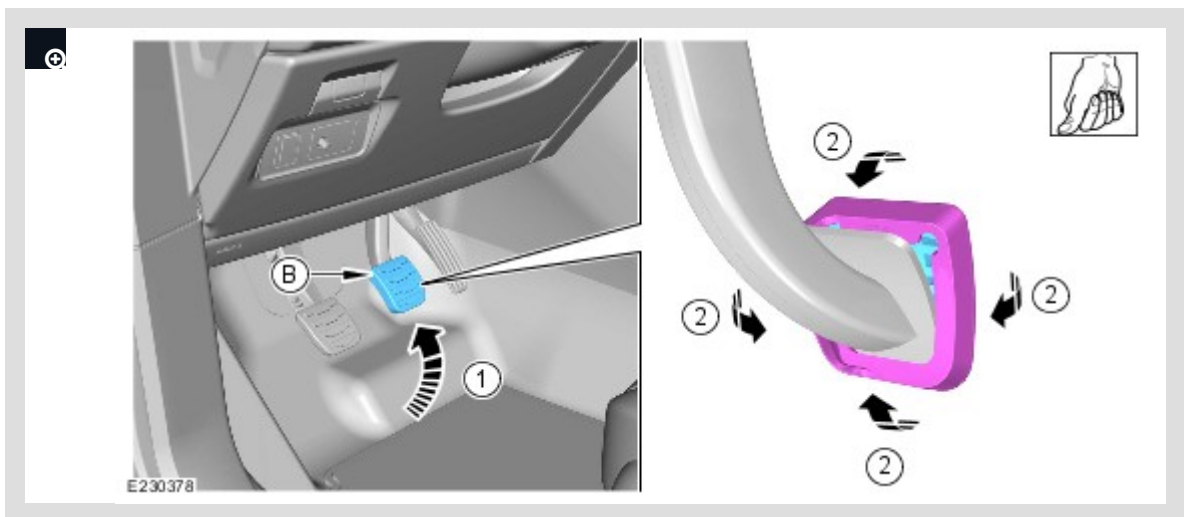
Installing of the pedal covers must be completed by hand. Failure to follow this instruction may result in damage to the component.

1.



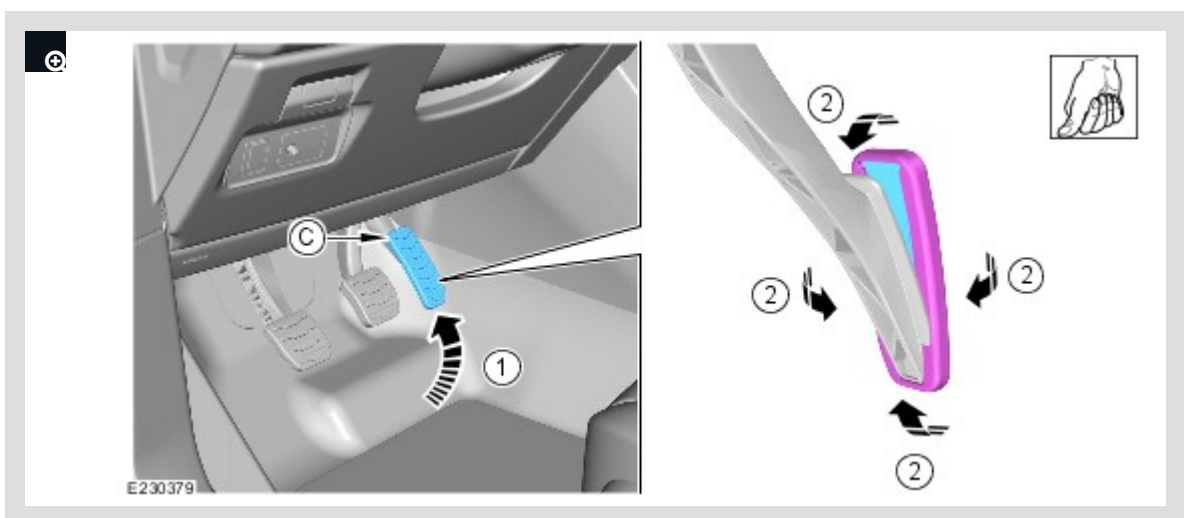
Install and secure the sports clutch pedal cover.

2.



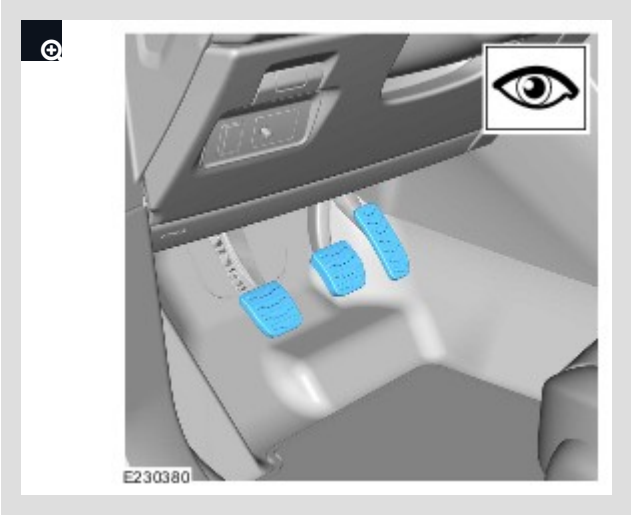
Install and secure the sports brake pedal cover.

3.



Install and secure the sports accelerator pedal cover.

4.



Check the safe and correct installation of the components.